



Unit 14, Chingford Industrial Centre, Hall Lane, Chingford, London, E4 8DJ.
T: 0208-345-6008 E: quotes@northlondonwindows.co.uk W: www.northlondonwindows.co.uk



TIMBER FLUSH CASEMENT WINDOWS

HARDWOOD / SOFTWOOD / ACCOYA



NLW Timber Traditional Flush Casement windows
Beautifully crafted, accurately produced, high energy
efficiency and durable.

Made in house using long standing joinery skills put
together with future proof technology.

Carefully selected raw materials are processed in our own
sawmill, dried in our wood drying facilities, to finally be
used in products designed & engineered to highest
standards.





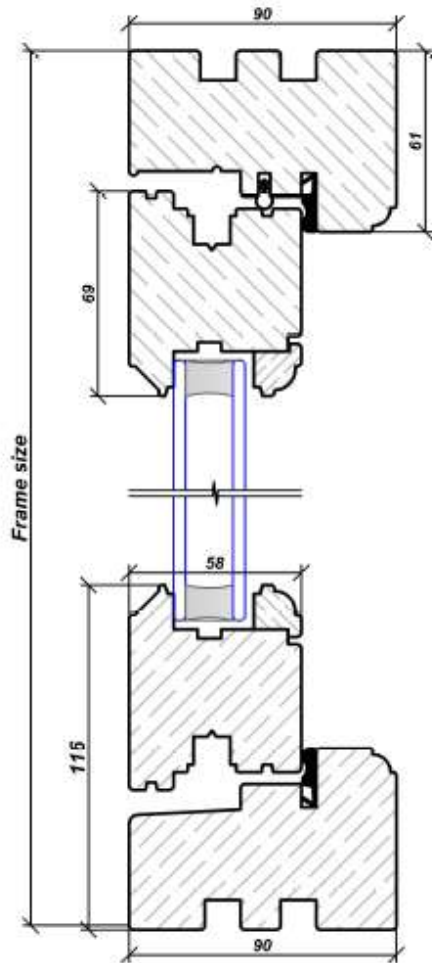




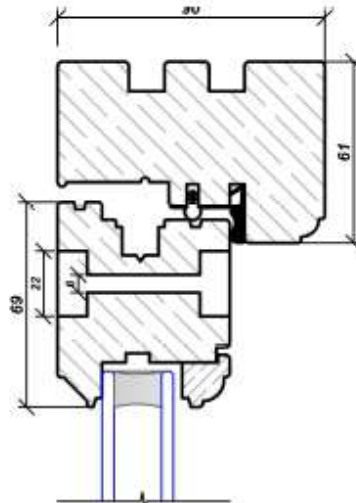
Galaxy S23 Ultra



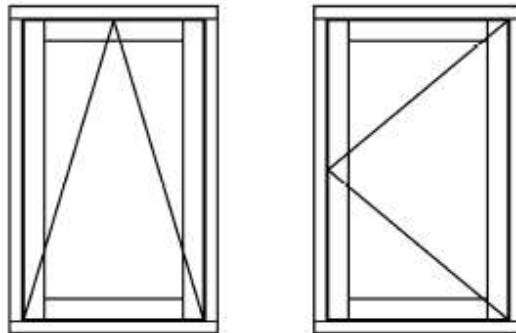
Galaxy S23 Ultra



Vertical Section



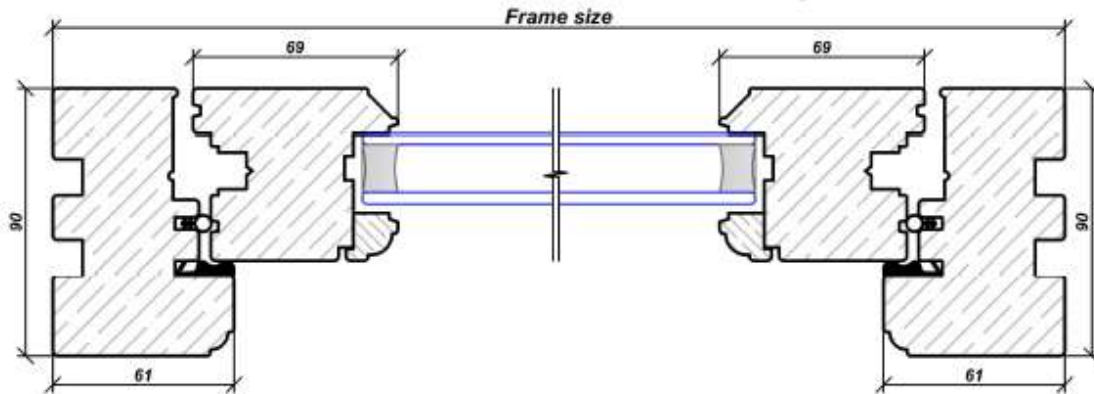
Trickle Vent Head



Top Hung

Side Hung

Opening Actions



Horizontal Section

Windows Type

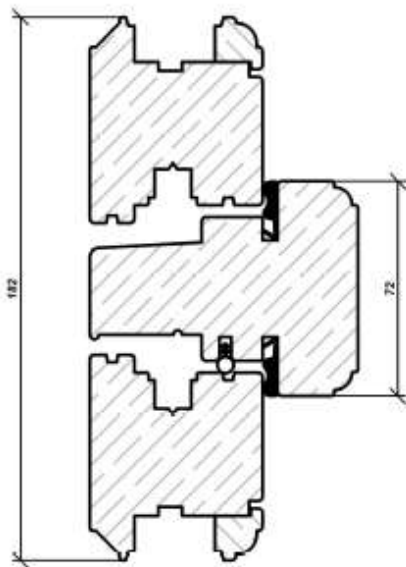
Flush Casement

Drawing Name

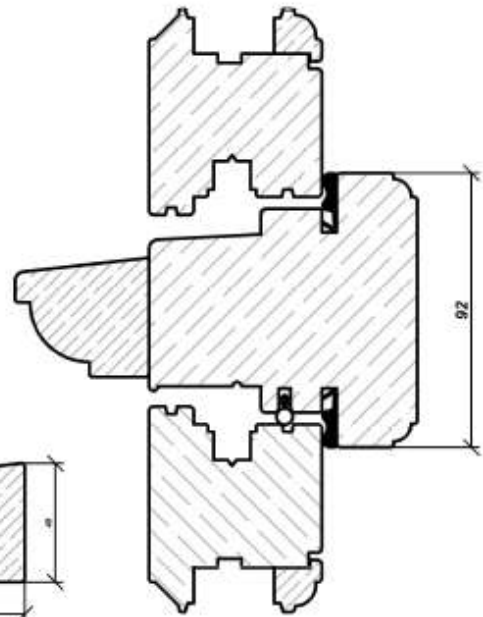
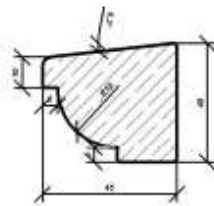
Sections & Openings

Scale

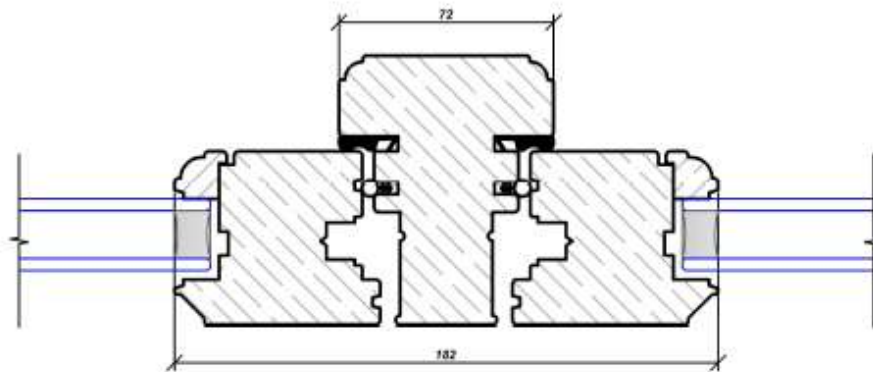
1:2 & 1:20



Crossbar Type I



Crossbar Type II



Vertical Mullion

Windows Type

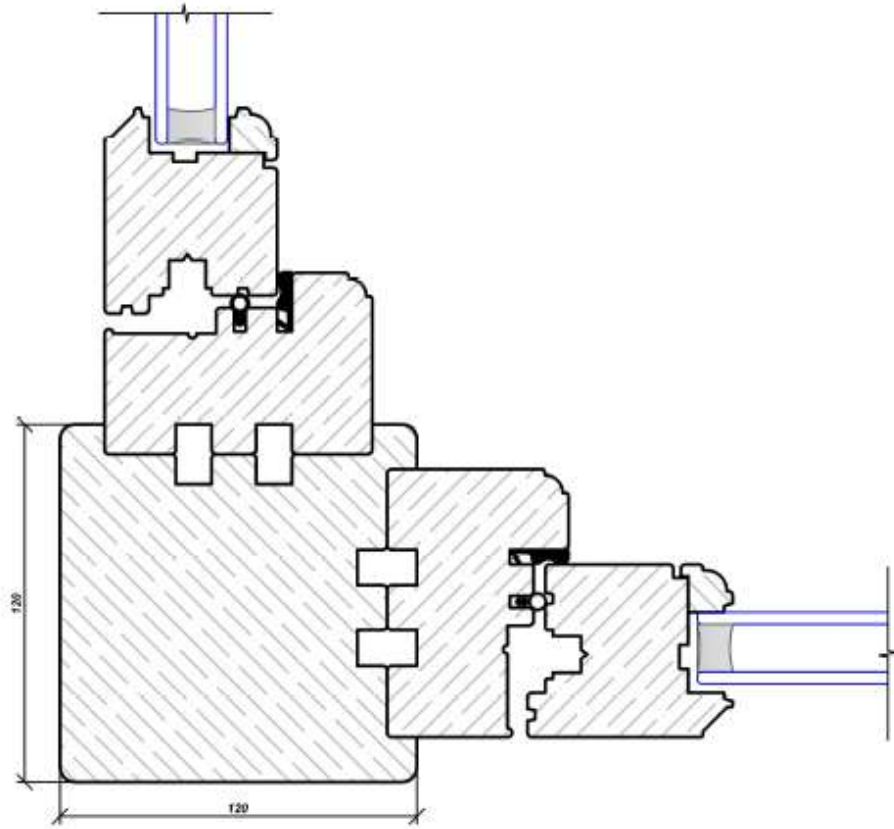
Flush Casement

Drawing Name

Bars

Scale

1:2



***Rectangular Bay Window
Detail***

Windows Type

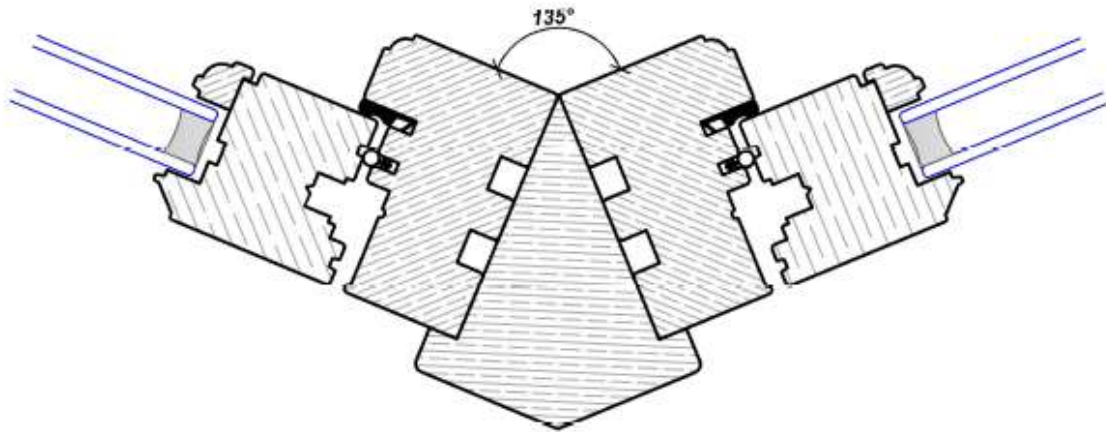
Flush Casement

Drawing Name

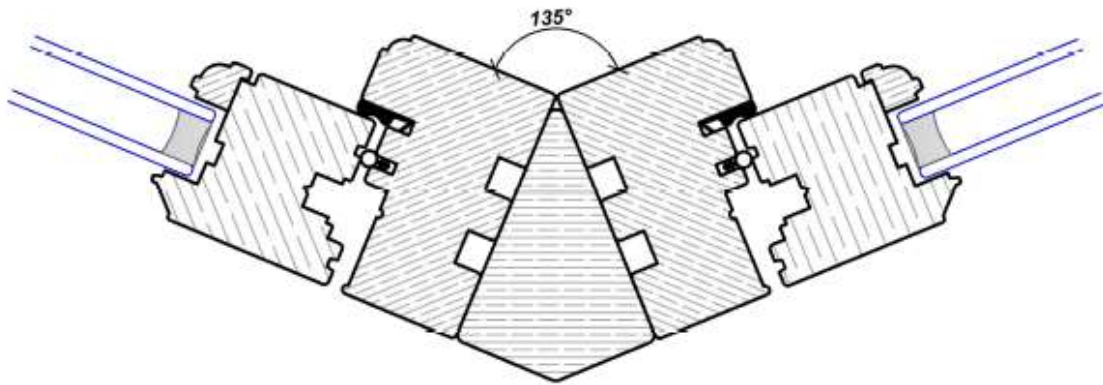
Bay Windows Sheet 2

Scale

1:2



Bay Window Detail



Bay Window Detail

Windows Type

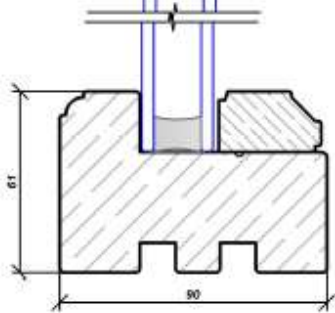
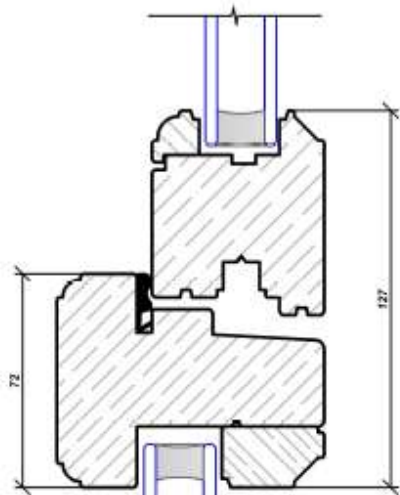
Flush Casement

Drawing Name

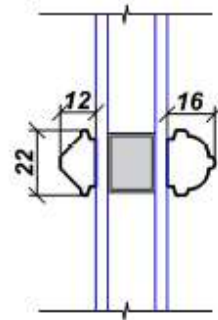
Bay Windows - Sheet 1

Scale

1:2



Fixed Glazing



Glazing Bar

Windows Type

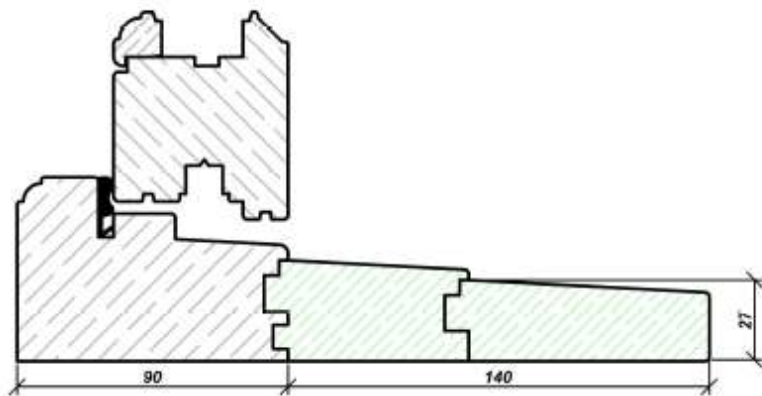
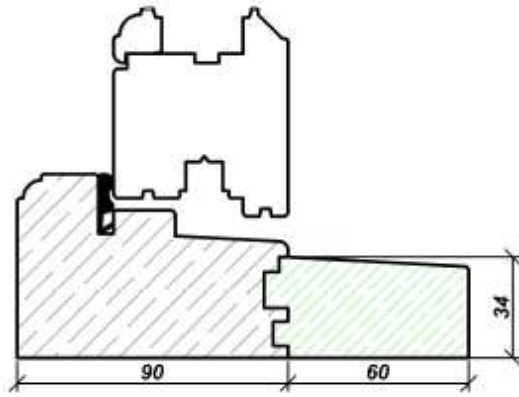
Flush Casement

Drawing Name

Bottom Fix

Scale

1:2



Windows Type

Flush Casement

Drawing Name

External Window Sill

Scale

1:2 & 1:20