



Unit 14, Chingford Industrial Centre, Hall Lane, Chingford, London, E4 8DJ.

T: 0208-345-6008 **E:** quotes@northlondonwindows.co.uk **W:** www.northlondonwindows.co.uk



TIMBER SASH WINDOWS

HARDWOOD / SOFTWOOD / ACCOYA



NLW Timber Traditional Sash Windows beautifully crafted, accurately produced, high energy efficiency and durable.

Made in house using long standing joinery skills put together with future proof technology.

Carefully selected raw materials are processed in our own sawmill, dried in our wood drying facilities, to finally be used in products designed & engineered to highest standards.













ANTIQUE BRASS



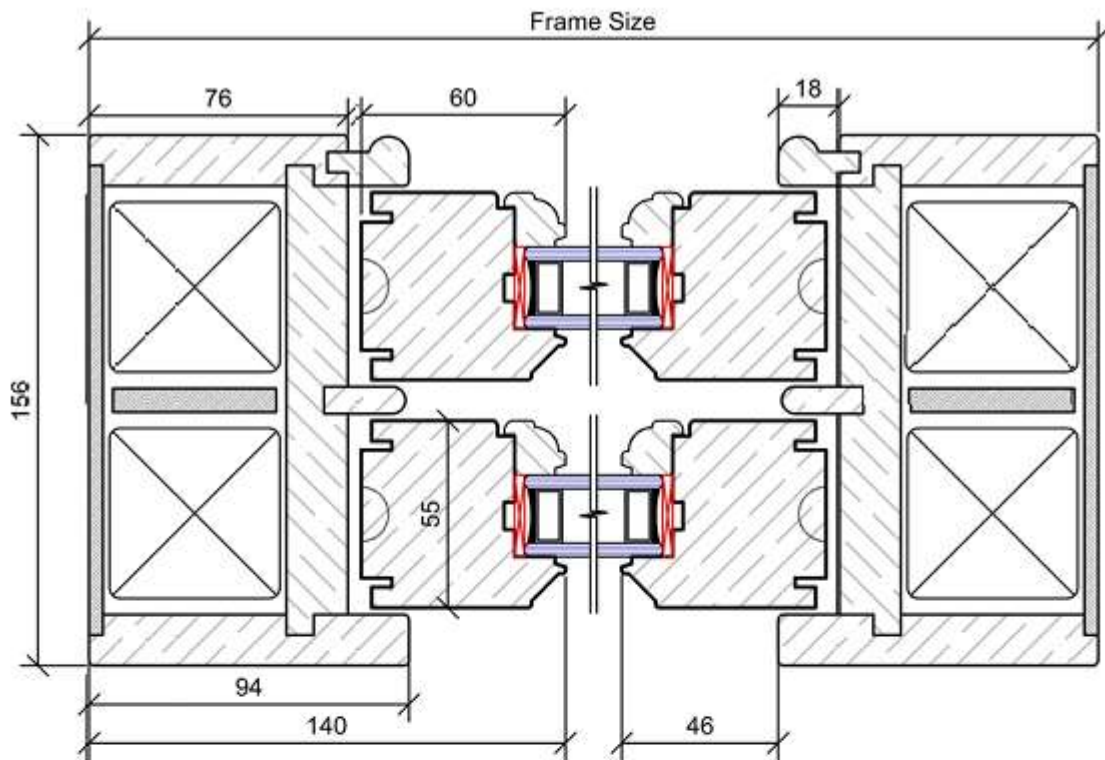
BRASS



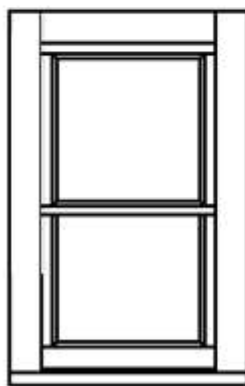
CHROME



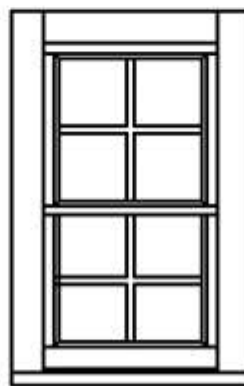
SATIN CHROME



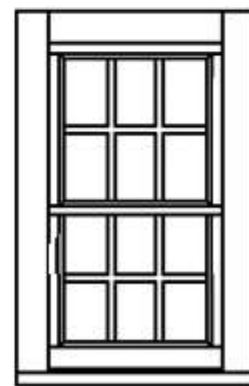
Horizontal Section - Traditional



Plain Elevation

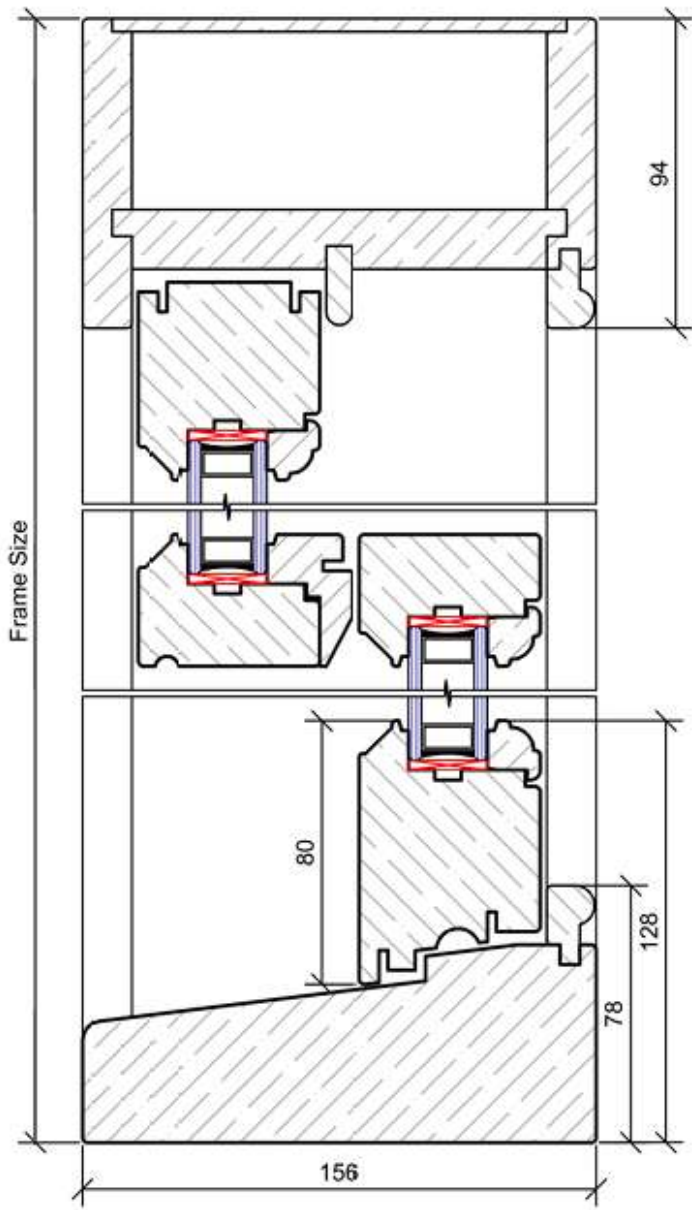


Elevation with
Glazing Bars

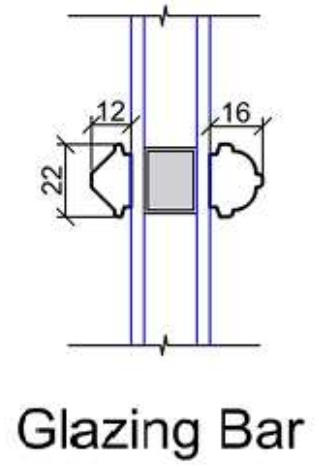


Elevation with
Glazing Bars

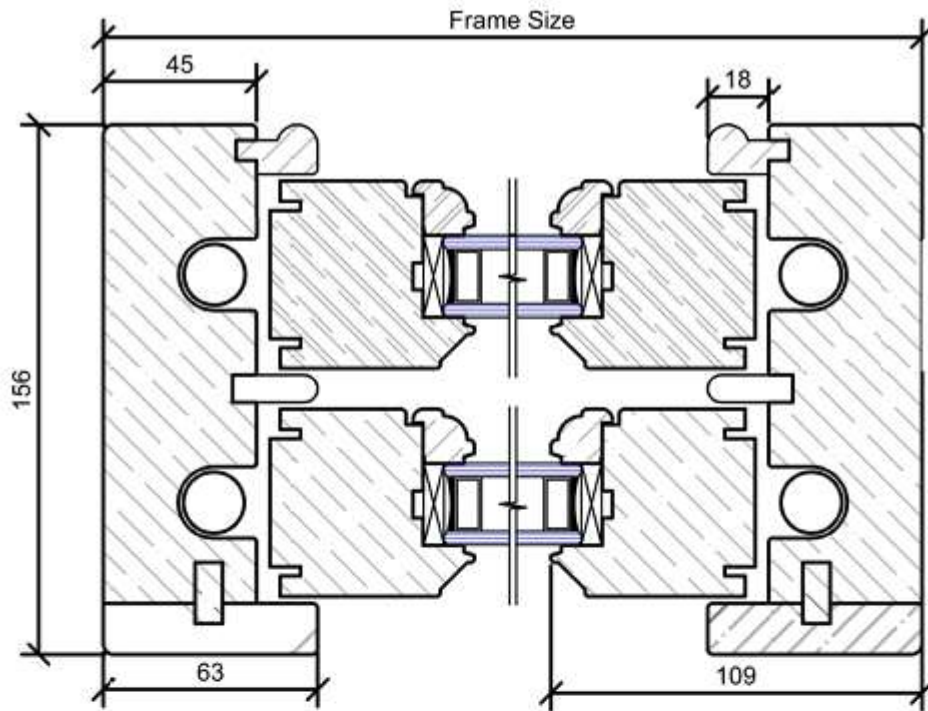
Elevation Samples



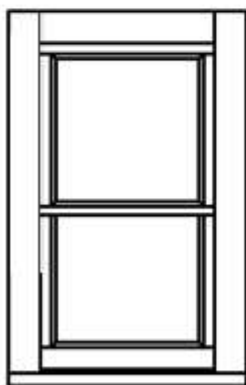
Vertical Section



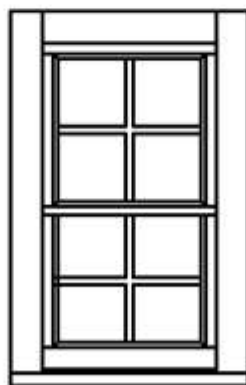
Glazing Bar



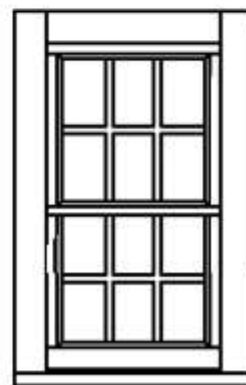
Horizontal Section - Spring Balance



Plain Elevation

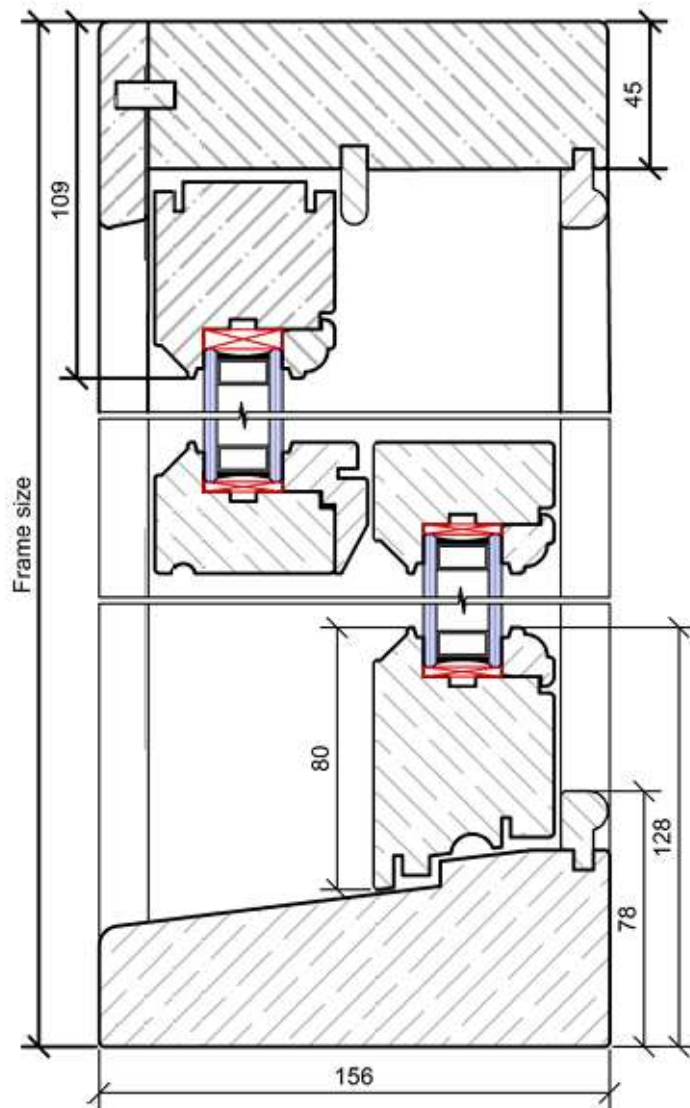


Elevation with
Glazing Bars

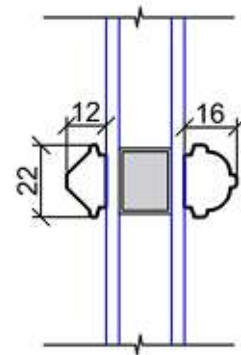


Elevation with
Glazing Bars

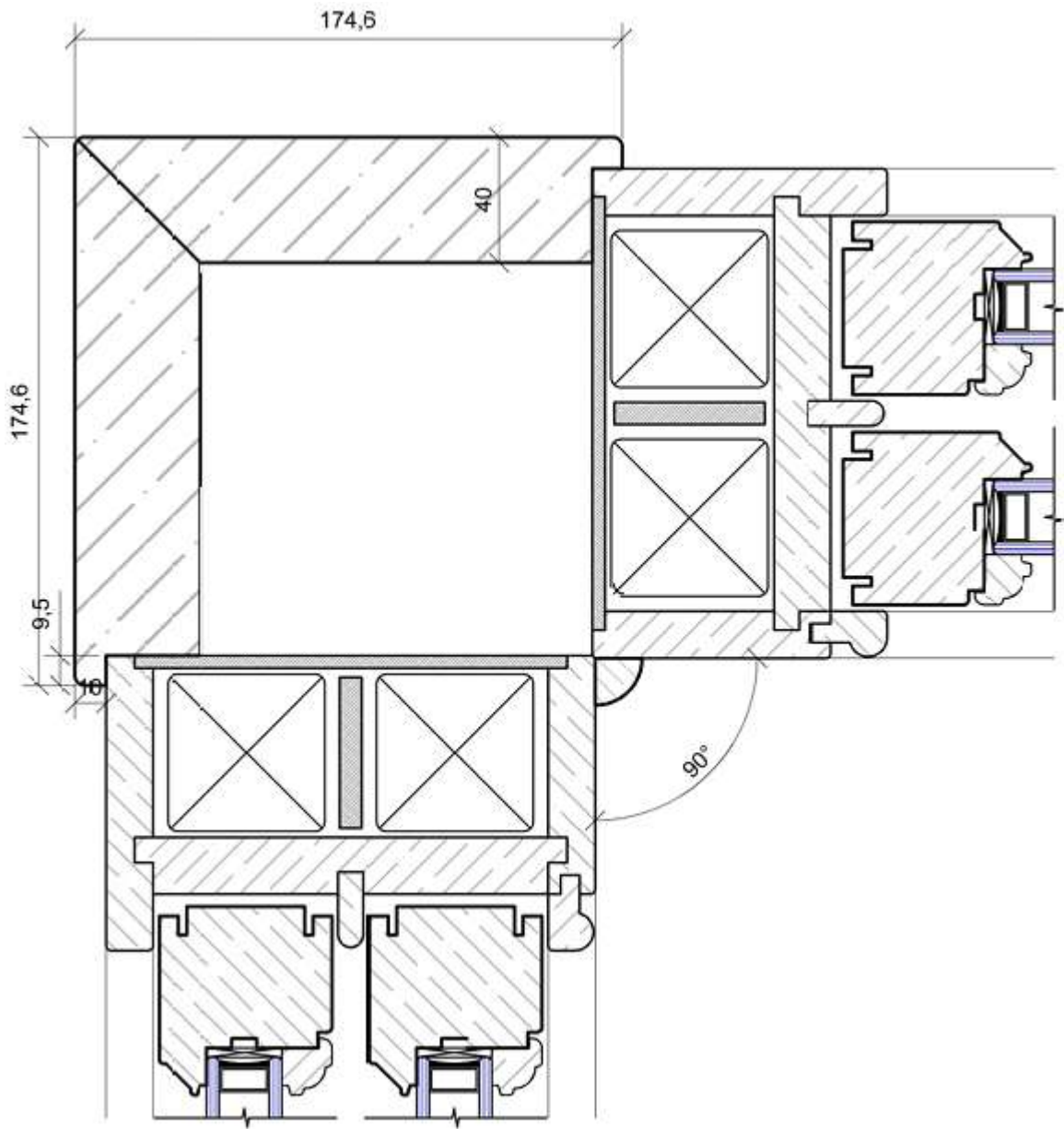
Elevation Samples

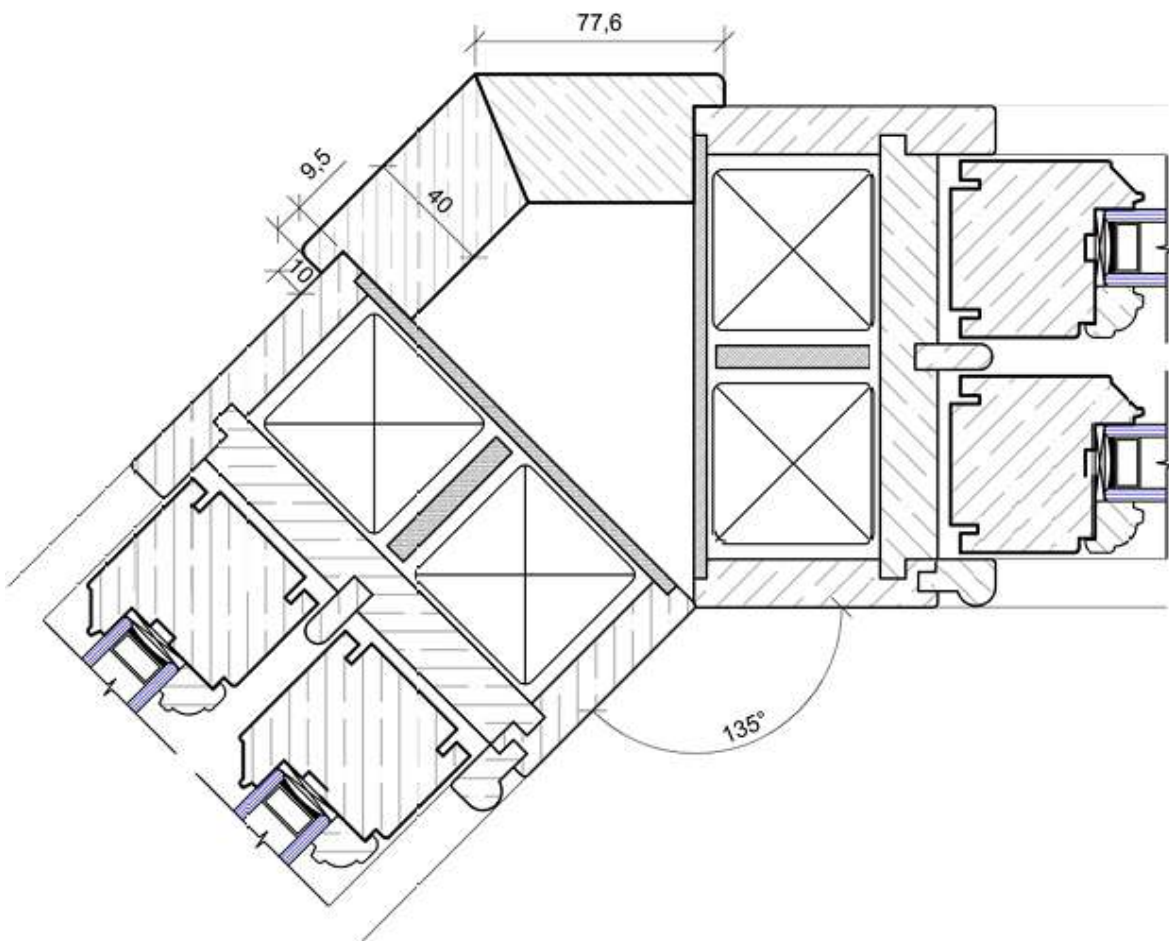


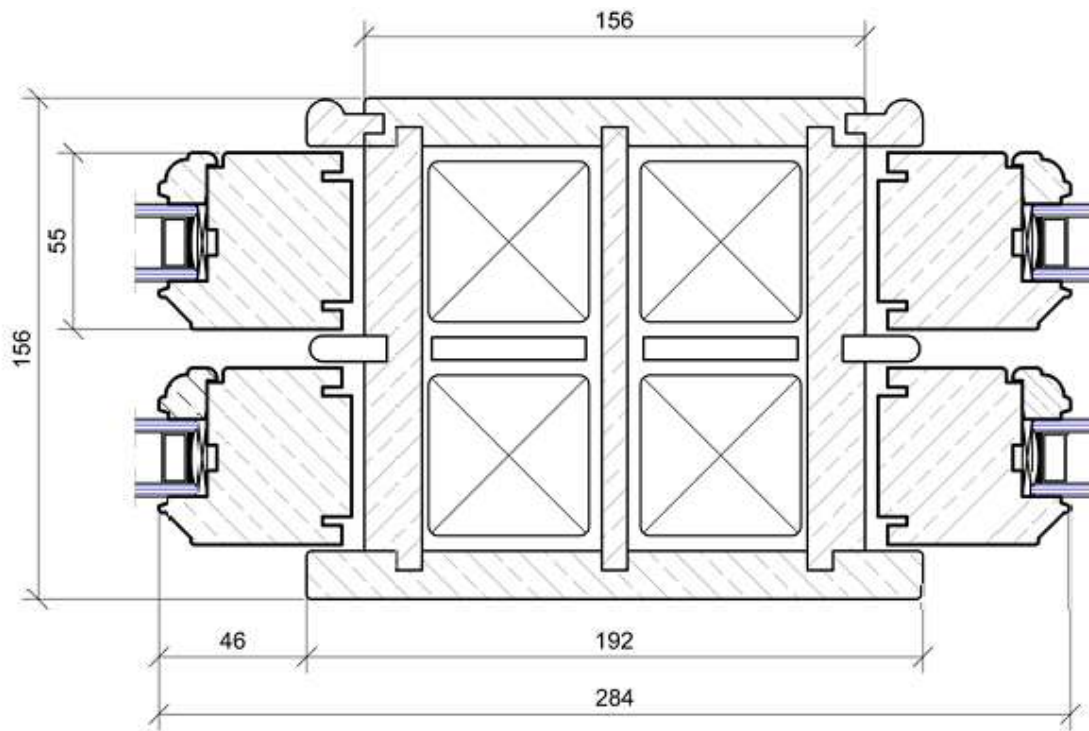
Vertical Section



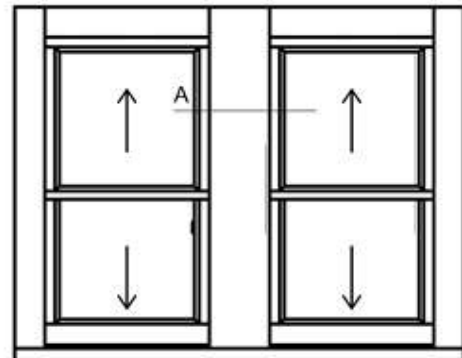
Glazing Bar

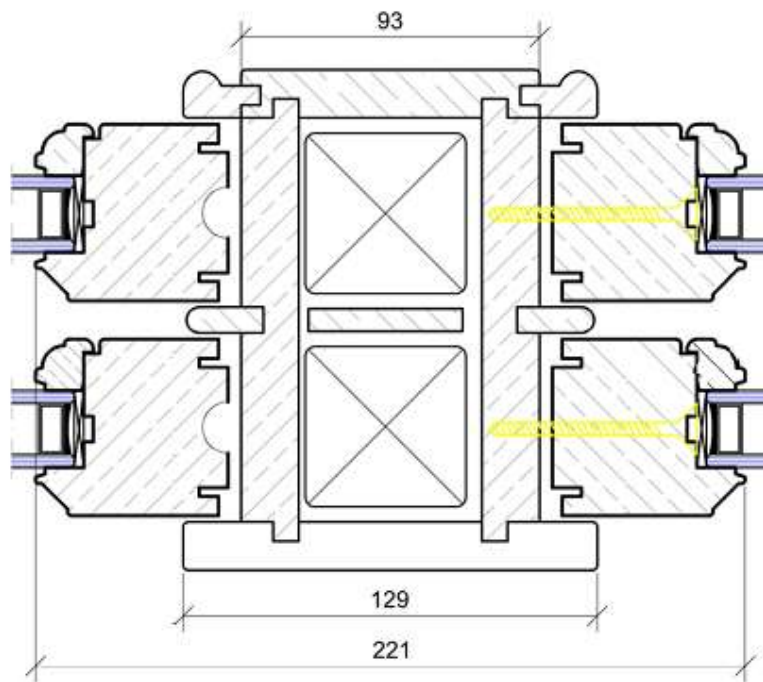




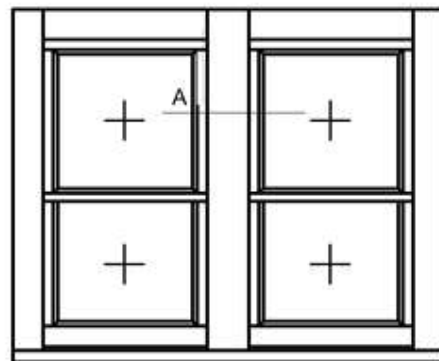


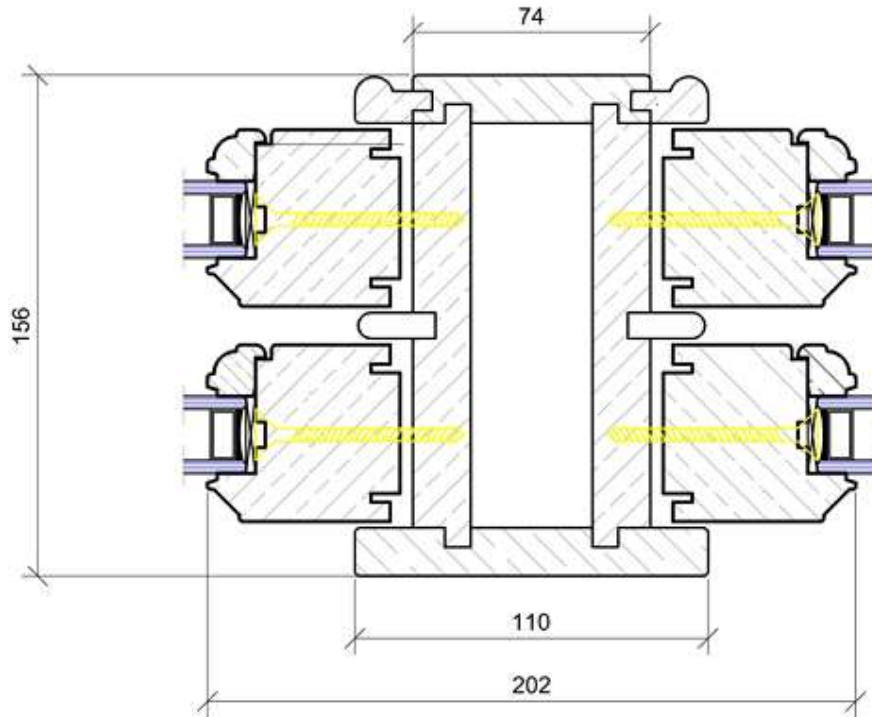
Central Mullion for Double
Opening Sash



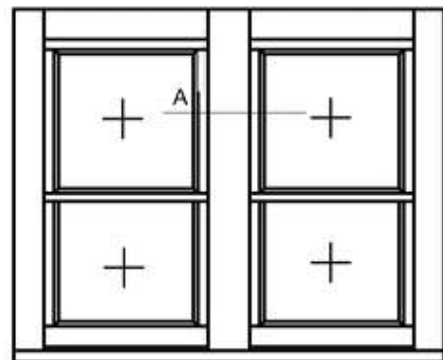


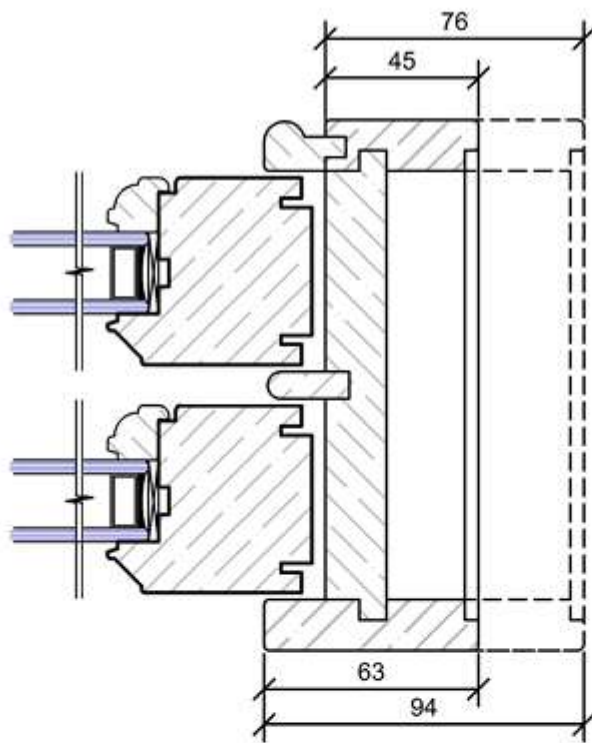
CENTRAL MULLION
FOR DOUBLE OPENING
FIXED
COMBO SASH





CENTRAL MULLION
FOR DOUBLE FIXED SASH





Frame Section Fixed
Sash 94 or 63

